

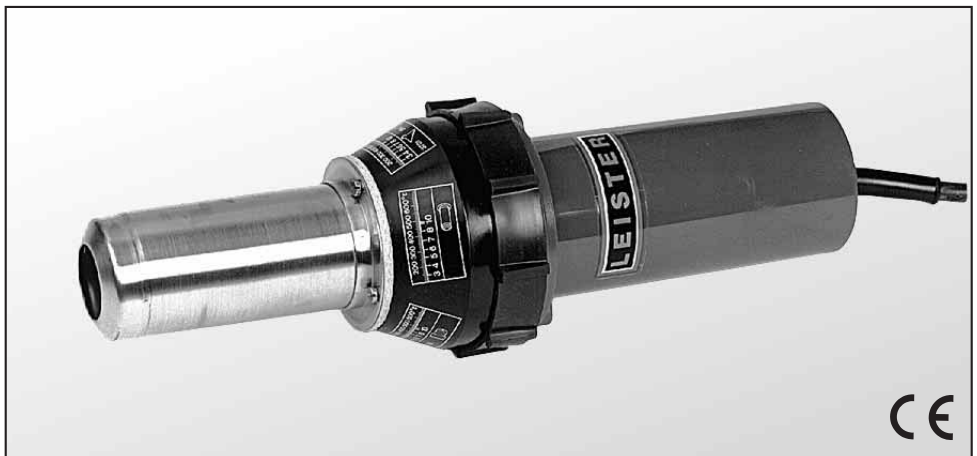
LEISTER Electron □ Hot-Air Blower



Please read operating instructions carefully before use and keep for further reference.

APPLICATION

- **Heating-up** for forming, bending and sealing of thermoplastic semi-finished materials.
- **Drying** of water-damp surfaces and joints.
- **Shrinking** of heat-shrink sleeves, films, tapes, solder sleeves and moulded parts.
- **Activating/dissolving** of solvent free adhesives and fusion adhesives.
- **Removing** old shellac, oil, resin paints and underseals on vehicles.
- **Defrosting** of frozen water pipes.
- **Welding** thermoplastic materials as well as modified bitumen.
- **Igniting** of wood shavings, paper, coal or straw in furnaces.





WARNING



Danger to life when opening the tool, as live components and connections are exposed. Unplug the tool before opening it.



Incorrect use of hot air blowers can cause **fire and explosion hazard**, especially near combustible materials and explosive gases.



Do not touch the element housing and nozzle when they are hot as they can cause **burns**. Let the tool cool down. Do not point hot air flow in the direction of people or animals.



CAUTION



The **voltage rating** stated on the tool must correspond to the line/mains voltage.



For personal protection on building sites we **strongly recommend** the tool be connected to a **GFCI** (Ground Fault Circuit Interrupter) or a **RCCB** (Residual Current Circuit Breaker).



The tool must be operated **with supervision**. Warmth can reach combustible materials, which are out of sight.



Protect tool from **damp** and **wet**.

APPROVAL MARK



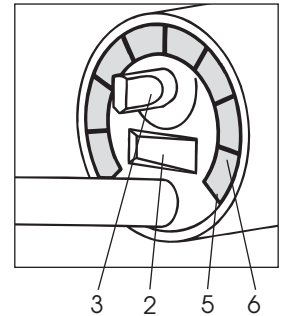
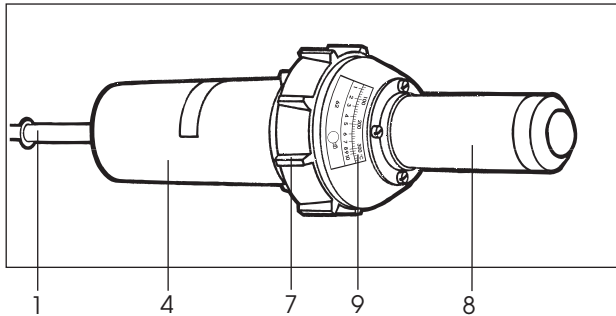
TECHNICAL DATA

Electrical safety: Double insulated

Voltage	V~	42, 120, 200, 230, 230, 230, 400 for 50/60 Hz
Power consumption W		1000, 2700, 2600, 2300, 3400, 4500, 5500
Temperature	°C	20 – 650, steplessly adjustable
Air flow	l/min.	max. 500, manual air slide
Air pressure	mbar	30
Emission level	L _{PA} (dB)	65
Weight	kg	1.5 with 3m power supply cord
Size	mm	320 × 64

Line/mains voltage cannot be switched over

Description of tool



- | | |
|--|-----------------|
| 1. Power supply cord | 5. Air slide |
| 2. On/off switch | 6. Air filter |
| 3. Potentiometer for
temperature adjustment | 7. Rubber stand |
| 4. Handle | 8. Heater tube |
| | 9. Scale |

Operating condition

- As required, push-fit appropriate nozzle or reflector.
- Connect tool to the line/mains.
- Reduce air flow as required by use of the **air slide (5)**.
- Adjust hot-air temperature by use of the **potentiometer (3)**. Standard values see temperature **scale (9)**.
- **Switch on (3)** and allow to warm up for about 5 min.

Operation

- LEISTER Process Technologies as well as the Service Centres offer free training courses for all applications (see page 1).
- Cool down the tool after use.

Change of nozzles / reflectors

- Before changing nozzles/reflectors, allow the tool to cool down, or use only combination pliers.
- Do not touch hot nozzle/reflector and make sure to put it only on a heat resistant surface, because of the **fire hazard**.
- The nozzles/reflectors are easily pushed onto the conical **heater tube (8)** and are then secured by fastening the screw on the clamp.
- Only LEISTER nozzles/reflectors should be used.

ACCESSORIES

- Use LEISTER accessories only.

MAINTENANCE

- The hot-air blower's **air filter (6)** should be cleaned with a brush if necessary.
- Check **power supply cord (1)** and plug for any possible electrical or mechanical damages.

SERVICE AND REPAIRS

- The carbon brushes of the welding tool's motor should be checked after about 1600 hours running time by your Service Centre.
- Repairs have to be carried out by authorised **LEISTER Service Centres** only. They guarantee a specialized and reliable **repair service within 24 hours** using original LEISTER spare parts.

GUARANTEE AND LIABILITY

- Guarantee and liability are in accordance with the guarantee certificate as well as with the currently valid general business and sales conditions.
- LEISTER Process Technologies rejects any guarantee claims for tools which are not in their original condition. The tools must never be altered or changed.

Technical data and specifications are subject to change without prior notice.

Your authorised Service Centre is: